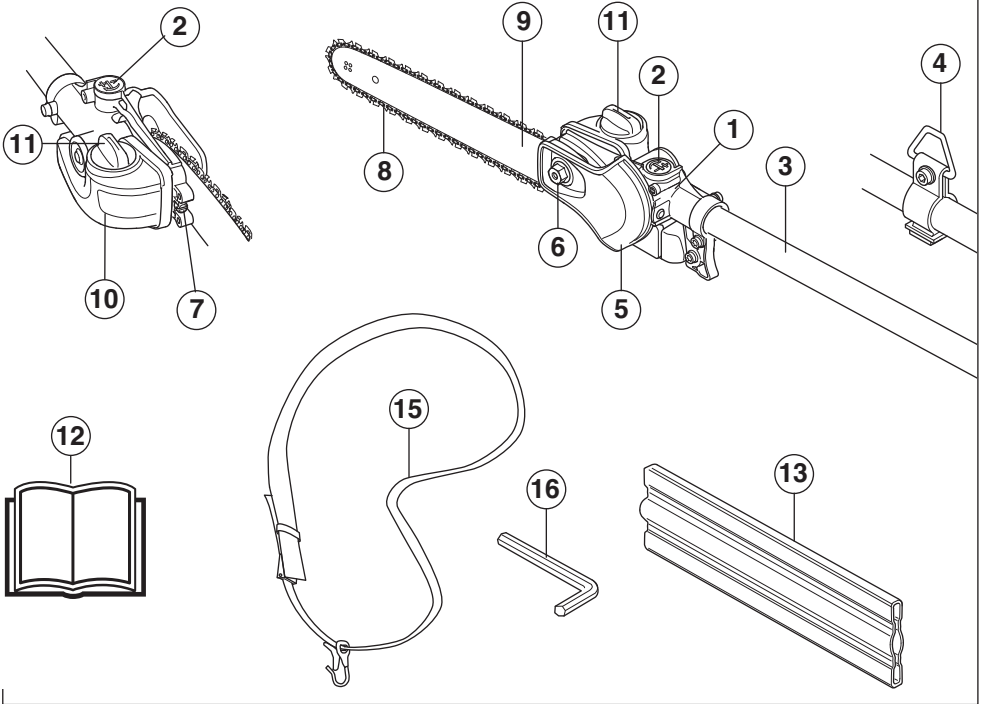


## WHAT IS WHAT?



### What is what on the saw attachment? (Saw attachment with shaft PA 1100)

- |                                      |                              |
|--------------------------------------|------------------------------|
| 1 Bevel gear                         | 10 Chain oil tank            |
| 2 Chain lubrication adjustment screw | 11 Filling with chain oil    |
| 3 Shaft (1100 mm)                    | 12 Operator's manual         |
| 4 Harness support hook (24 mm)       | 13 Transport guard           |
| 5 Protective guard for saw chain     | 14 Combination spanner       |
| 6 Bar nut                            | 15 Harness                   |
| 7 Chain tensioning screw             | 16 Torx wrench               |
| 8 Saw chain                          | 17 Hand guard                |
| 9 Guide bar                          | 18 Harness support hook (1") |